

# Mistral

## COMPRESSION & PUSH-FIT VALVE SETS



Pegler Yorkshire

Pegler Yorkshire  
St. Catherine's Avenue,  
Doncaster,  
DN4 8DF.

Technical Help  
Free Phone: 0800 156 0050  
Free Fax: 0808 156 1012  
www.pegleryorkshire.co.uk

### Introduction

The Mistral valve set has been produced to the highest quality standards and developed to offer the installer a matching pair of valves, nickel-plated, to complement any room design.

They are available in 10mm and 15mm sizes. The 10mm TRV, with compression connections, is supplied with a one-piece reducer (15mm x 10mm).

The Mistral valve set comprises one Bi-directional thermostatic radiator valve TRV and one manual lockshield radiator valve. They are available with a compression x compression connection or as a Tectite push-fit x compression connection. Each pack is supplied with either a pair of self-sealing tail connections or one self-sealing tail and one drain-off valve for speedy installation.

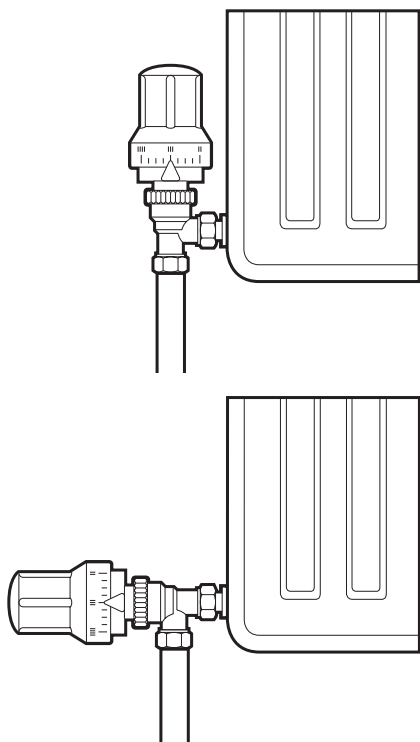
The TRV with Tectite push-fit connection along with the lockshield valves (both compression x push-fit) are available as either 10mm or 15mm.

These installation instructions apply to the Mistral valves with either compression connections or Tectite push-fit connections and relevant tail-pieces.

### Installation instructions

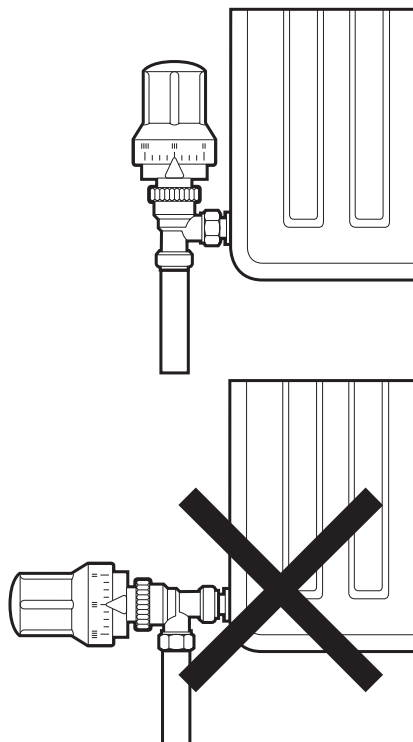
#### Compression x compression TRV

The Mistral Bi-directional TRV bodies may be installed in either vertical or horizontal positions, in either flow or return. For best performance we recommend the valves be fitted with the headwork mounted horizontally but where space is limited, the valve may be installed with the head mounted vertically.



#### Tectite push-fit connection x compression TRV

The Mistral Bi-directional TRV body, with a Tectite connection, should ideally be installed in the vertical position in either flow or return. The TRV is designed with an integral Tectite push-fit connection providing speedy installation.



#### Installation procedures for Mistral TRV bodies

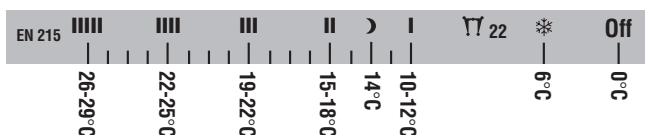
Prior to installing the TRV bodies ensure the system is free from debris and contamination and installed in accordance with good plumbing practice. The black protective cap fitted on the valve body may be used as a temporary ON/OFF control device prior to fitting the thermostatic head.

#### Fitting thermostatic heads

Open valve fully and fit head to valve body, screw down locking nut and secure hand tight. When installation is complete and system is running normally, adjust thermostatic head to preferred setting in individual rooms. Snap on decorative cover. Only remove black protective cap from valve body immediately before fitting the thermostatic head.

### Operating your Mistral TRV

There are 8 positions on the TRV headwork.



#### Approximate Temperature Settings

\* Frost protection setting    ⌋ Night time setting

#### Limiting and maximum setting

To limit the maximum setting, remove head and set to maximum desired position. Remove the black retention pin, found underneath the setting arrow, and reinsert into the slot directly underneath position IIIII. The temperature has been limited to the desired position.

#### Locking a predetermined setting

Remove the retention pin positioned under setting IIIII, and replace it two slots to the left. The desired set temperature is now locked in place.

**N.B.** In the event that a radiator needs to be removed e.g. for decoration purposes, remove TRV head and screw on black protective cap hand tight. As an additional safety feature we recommend fitting a blanking nut (Catalogue Reference No: 470DZR), from the Yorkshire range, to the radiator connection port of the valve body. This will prevent any possibility of water leakage. The blanking cap is only required for the TRV.

### Mistral Lockshield Radiator Valves

#### Compression x compression

Both ends of the 15 x 1/2" Mistral valve body are threaded 1/2" BSP enabling this size of valve to be fitted to the radiator either vertically or horizontally.

vertically. The other port (tube end) of the valve has a Tectite push-fit connection in sizes 10mm and 15mm.

#### Compression x Tectite push-fit

The radiator connection port of the Mistral valve body is threaded 1/2" BSP enabling it to be fitted to the radiator

**N.B.** In the event that a radiator needs to be removed e.g. for decoration purposes, remove the lockshield top and 'nip' the spindle using a pair of nose pliers turning clockwise into the closed position.

### Tail piece connections

#### Self-sealing tail

The Self-Sealing Tail, designed for quick and easy installation, requires no PTFE tape and connects directly to radiator tapping.

flow. When replacing the screw, do not over tighten. Close the radiator bleed valve.

#### Drain-off tail piece

When assembling, use the spanner flats on the drain-off body to aid tightening.

**Caution:** Inhibitor loss may occur due to the draining and therefore replenishment may be required.

When draining down, remove screw, seal and washer, then attach a hose to allow water to drain from the radiator, alternatively place a container under the valve spout to catch the water. Open the radiator bleed valve to commence water

**Tectite street elbow – T12s**  
Tectite push-fit street elbows are nickel-plated and complement the Mistral valves. They are available in sizes 10mm, 10 x 15mm and 15mm and are ideal where orientation of the valve head maybe restricted. See the Tectite push-fit range for more details.

### 5 Year Warranty

- Yorkshire Fittings Limited (hereinafter called "Yorkshire") hereby warrant to the original purchaser (hereinafter called "the customer") the Mistral/Mistral Pro range of thermostatic radiator valves and manual radiator valves (hereinafter called "the TRVs") to be free from defects in design, materials and workmanship under the normal service and use.
  - Failure to inspect before installation.
  - The valves being used for a purpose other than that agreed at the time of sale.
  - Any alteration or modification to the valves after dispatch from Yorkshire.
  - The valves not being used in accordance with the recommendations of Yorkshire and/or the manufacturer.
- In the event of the discovery of any defect in the valves or in any part of the valves to which the warranty applies, and of which written notice has been given to Yorkshire within seven days of discovery of the alleged defect (twenty eight days in the case of sales outside of Great Britain), Yorkshire shall, within five years from the date of original purchase of the valves, at its option repair or replace the valves or any part thereof which in Yorkshire's opinion proves to be defective provided that not more than three months elapsed before such equipment was installed after leaving Yorkshire's premises.
  - Valves which were not installed, operated or maintained in accordance with Yorkshire's instructions or were mis-used, damaged by accident, altered or disconnected.
  - Production of noise and/or leaks arising from defective installation.
  - Failure substantially contributed to by sediment or lime precipitate or other matter such as may be found in the system installation.
  - Failure substantially contributed to by corrosive elements in the atmosphere.
- Alleged defective parts must be returned to Yorkshire as soon as practically possible, accompanied by a full explanation of the alleged fault and where available any additional information relating to nature and type of installation. Failure to comply with this requirement may affect any claim made by the customer.
  - Save as set out above, and except in the case of death or personal injury caused by its neglect Yorkshire shall have no liability to the Customer in connection with or arising from any defect or failure in the valves except to the extent that the total aggregate liability of Yorkshire does not exceed the net invoice value of the goods supplied. Notwithstanding the above the Customer shall have no claim against Yorkshire in respect of any consequential or financial loss whether direct or indirect.
- The warranty excludes the cost of time and labour in repairing or replacing alleged faulty materials or parts and any collection and delivery charges. The judgement of Yorkshire as to the existence and cause of any alleged defect shall be final.
- This warranty is not assignable and shall favour only the original purchaser of the valves.
- This warranty shall not apply to defects caused by:
  - Wear and tear, accident, misuse, neglect, improper operation or installation.
- The Customer's statutory rights are in no way affected by the provisions of this warranty.

